

Ankersmid Ball Valves

PANAM 'PBV' series

Application

2-way ball valves

Three-piece 2-way ball valves are designed and ruggedly manufactured for use in corrosive & hazardous environment. These valves are used in process control, instrumentation and flow control applications.

Ball valves are precision machined, designer durability and maximum efficiency to provide high quality and low cost alternatives in fluid and gaseous control systems of different applications to meet the exact standards of our growing and demanding customers.

2-way ball valves are available in high grade stainless steel, Carbon steel, Brass and Monnel materials in variety of end connections includes male/female threaded NPT, BSP, BSPT, ISO, DIN pipe ends and compression tube end connections.

Ball valves can be supplied to meet current revision of NACE MR01-75 (Sour Gas Service).

All valves are 100% factory-tested and complete traceability is available. Panel mounting provided only with the phonemic handle.

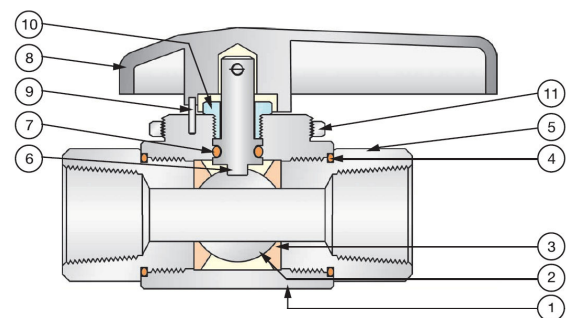


- Corrosion resistance
- Excellent flow
- Installation and maintenance
- Safe design
- Positive sealing & seat wear-out
- Smooth operation

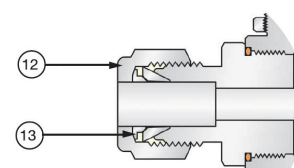
Features

- A479-316 construction
- Full or reduced bore
- Three-piece design
- Anti blow-out internally loaded stem
- Floating ball design
- Low torque 90° actuation with SS Lever/Pheno

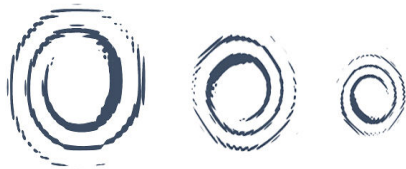
	Description	Qty.	Material
1	Body	1	A479-316/B-16
2	Ball	1	A479-316
3	Seal	2	PTFE/POM
4	O-ring	2	Viton®/Buna-N
5	Adaptor	2	A479-316/B-16
6	Spindle	1	A479-316
7	O-ring	1	Viton®/Buna-N
8	Handle	1	Phenolic/SS Lever
9	Lock Pin	1	A479-316
10	Gland Nut	1	A479-316/B-16
11	Panel Nut	1	A479-316/B-16
12	Nut	2	A479-316/B-16
13	Ferrule Set	4	A479-316/B-16



Threaded End Connections



Compression Tube End Connections

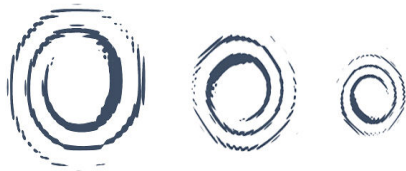


PANAM
316SS INSTRUMENTATION BALL VALVES
W.P. 6000 PSI



2-way ball valve

CONNECTION	PART NUMBER
1/8" OD	PBV-2-S-02-OD
1/8" Female NPT	PBV-2-S-02-FF
4mm OD	PBV-2-S-M04-OD
1/4" OD	PBV-2-S-04-OD
1/4" Female NPT	PBV-2-S-04-FF
6mm OD	PBV-2-S-M06-OD
5/16" OD	PBV-2-S-05-OD
8mm OD	PBV-2-S-M08-OD
3/8" OD	PBV-2-S-06-OD
3/8" Female NPT	PBV-2-S-06-FF
10mm OD	PBV-2-S-M10-OD
1/2" OD	PBV-2-S-08-OD
1/2" Female NPT	PBV-2-S-08-FF
12mm OD	PBV-2-S-M12-OD
5/8" OD	PBV-2-S-10-OD
16mm OD	PBV-2-S-M16-OD
3/4" OD	PBV-2-S-12-OD
3/4" Female NPT	PBV-2-S-12-FF
20mm OD	PBV-2-S-M20-OD
1" OD	PBV-2-S-16-OD
1" Female NPT	PBV-2-S-16-FF
25mm OD	PBV-2-S-M25-OD



PANAM
316SS INSTRUMENTATION BALL VALVES
W.P. 6000 PSI



3-way ball valve

CONNECTION	PART NUMBER
1/8" OD	PBV-3-S-02-OD
1/8" Female NPT	PBV-3-S-02-FF
4mm OD	PBV-3-S-M04-OD
1/4" OD	PBV-3-S-04-OD
1/4" Female NPT	PBV-3-S-04-FF
6mm OD	PBV-3-S-M06-OD
5/16" OD	PBV-3-S-05-OD
8mm OD	PBV-3-S-M08-OD
3/8" OD	PBV-3-S-06-OD
3/8" Female NPT	PBV-3-S-06-FF
10mm OD	PBV-3-S-M10-OD
1/2" OD	PBV-3-S-08-OD
1/2" Female NPT	PBV-3-S-08-FF
12mm OD	PBV-3-S-M12-OD
5/8" OD	PBV-3-S-10-OD
16mm OD	PBV-3-S-M16-OD
3/4" OD	PBV-3-S-12-OD
3/4" Female NPT	PBV-3-S-12-FF
20mm OD	PBV-3-S-M20-OD
1" OD	PBV-3-S-16-OD
1" Female NPT	PBV-3-S-16-FF
25mm OD	PBV-3-S-M25-OD